

22 Creedmoor

Test Specifications:

Firearm Used: Universal Receiver

Barrel Length: 24"

Twist: 1x8"

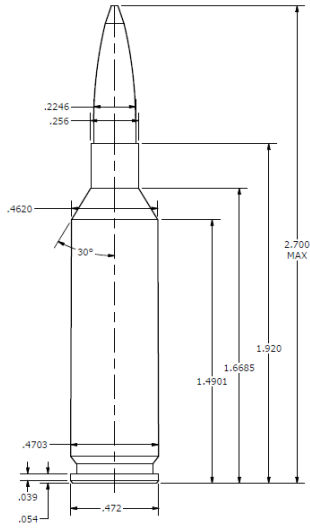
Components:

Case: Peterson Large Primer

Trim-to-Length: 1.905"

Primer: Federal 210

Remarks:



INDICATES MAXIMUM LOAD - USE CAUTION
LOADS LESS THAN MINIMUM CHARGES SHOWN ARE NOT

22 Creedmoor

Bullet	Caliber	Weight	Type	C.O.A.L.
#1410	.224"	52 gr	MK HPBT	
#1400	.224"	53 gr	MK HP	
#1345	.224"	55 gr	SPT Blitz Med. Vel.	**
#1360	.224"	55 gr	SPT	
#1365	.224"	55 gr	SBT	
#1390	.224"	55 gr	HPBT	
#1455	.224"	55 gr	BK	*

* - requires a 1 x 12" twist rate or faster.

** - Max velocity of 3600 fps.

Powder	Velocity >	3500	3600	3700	3800	3900	3950	4000
IMR 4350		40.7	41.7	42.8	43.7			
R-16		40.1	41.2	42.4	43.5			
H 4350			40.5	41.7	43.0	43.9		
A 4350		42.8	44.1	45.2				
SW 4350		43.3	44.4	45.4				
6.5 Staball			41.9	43.1	44.2	45.3	45.9	46.3
Superformance			43.4	44.5	45.6	46.7	47.2	47.5
IMR 4831		42.1	43.3	44.6	45.2			
RS Hunter		42.8	44.2	46.0				
H 4831sc		43.9	45.2	45.9				
IMR 7828ssc		44.2	45.4	46.2				
Energy Ft. Lbs		1496	1583	1672	1763	1857	1905	1954

Special Load	Powder	Grains	Velocity fps	Energy Ft. Lbs
Accuracy Load	SW 4350	44.5	3612	1593
Hunting Load	IMR 4350	42.8	3700	1672

Sierra does not recommend MatchKing bullets for hunting applications.



INDICATES MAXIMUM LOAD - USE CAUTION
LOADS LESS THAN MINIMUM CHARGES SHOWN ARE NOT RECOMMENDED.

22 Creedmoor

Bullet	Caliber	Weight	Type	C.O.A.L.
#1375	.224"	60 gr	HP	2.465
#7160	.224"	60 gr	TMK	2.495 *
#9362	.224"	62 gr	SBT	2.405 *
#1370	.224"	63 gr	SMP	2.425
#4062	.224"	64 gr	TGK	2.420 *
#1395	.224"	65 gr	SBT	2.445 *

* - requires a 1 x 10" twist rate or faster.

Powder	Velocity >	3300	3400	3500	3600	3650	3700	3750
IMR 4350		38.1	39.4	40.6	42.0			
R-16		38.3	39.5	40.6	41.8	42.5		
H 4350		37.0	38.4	39.8	41.2			
SW 4350		40.6	42.0	43.5				
6.5 Staball			39.3	40.8	42.3	43.1	43.7	
Superformance			42.0	43.2	44.3	44.9	45.5	46.1
IMR 4831	40.0		41.4	42.7				
RS Hunter			41.4	42.9	44.5	44.8		
H 4831sc	40.7		42.2	43.6	44.2			
IMR 7828ssc	41.5		42.7	44.0	44.8			
Energy Ft. Lbs		1572	1668	1768	1870	1923	1976	2029

Special Load	Powder	Grains	Velocity fps	Energy Ft. Lbs
Accuracy Load	H 4350	39.7	3491	1488
Hunting Load	Superformance	45.5	3700	1976

Sierra does not recommend MatchKing bullets for hunting applications.



INDICATES MAXIMUM LOAD - USE CAUTION
LOADS LESS THAN MINIMUM CHARGES SHOWN ARE NOT RECOMMENDED.

22 Creedmoor

Bullet	Caliber	Weight	Type	C.O.A.L.
#1380	.224"	69 gr	MK HPBT	*
#7169	.224"	69 gr	TMK	2.520 *

* - requires a 1 x 10" twist rate or faster.

Powder	Velocity >	3200	3300	3400	3450	3500	3550	3600
IMR 4350		37.5	38.6	39.8	40.3	40.6		
R-16			37.8	39.1	39.8	40.6		
A 4350			39.3	40.9	41.6	42.3		
SW 4350	39.9		41.3	42.7				
6.5 Staball				38.6	40.8	41.5	42.6	
Superformance			40.4	41.8	42.4	43.1	43.7	44.4
IMR 4831	38.8		40.3	41.4				
H 4831sc	39.8		41.2	42.7	43.4			
N 560	43.0		44.5	45.8				
R-23			40.4	41.7	42.4	43.1	43.4	
IMR 7828ssc	40.3		41.5	42.7	43.3			
R-25	43.1		44.5	45.7				
Energy Ft. Lbs		1569	1668	1771	1823	1877	1931	1985

Special Load	Powder	Grains	Velocity fps	Energy Ft. Lbs
Accuracy Load	R-16	40.5	3502	1879
Hunting Load	6.5 Staball	41.7	3510	1887

Sierra does not recommend MatchKing bullets for hunting applications.



INDICATES MAXIMUM LOAD - USE CAUTION
LOADS LESS THAN MINIMUM CHARGES SHOWN ARE NOT RECOMMENDED.

22 Creedmoor

Bullet	Caliber	Weight	Type	C.O.A.L.
#9377	.224"	77 gr	MK HPBT	2.495 *
#7177	.224"	77 gr	TMK	2.550 *
#9390	.224"	80 gr	MK HPBT	2.630 *

* - requires a 1 x 8" twist rate or faster.

Powder	Velocity >	3100	3150	3200	3250	3300	3350	3400
A 4350		38.1	38.8	39.5	40.2	40.9	41.3	
6.5 Staball			37.7	38.5	39.3	40.1	40.9	41.4
IMR 4831		38.0	38.7	39.8				
RS Hunter		38.0	38.8	39.6	40.4	41.3		
H 4831sc		39.3	40.0	40.7	41.5	41.9		
N 560		41.4	42.3	43.1	43.9	44.8	45.3	
R-23		38.3	39.1	39.8	40.5	41.2	42.1	
N 165		41.2	41.9	42.6	43.3	44.0	44.7	45.4
IMR 7828sc		40.2	40.8	41.4	42.1	42.7		
R-25		41.8	42.4	43.1	43.8	44.4	45.1	45.7
H 1000		42.3	43.0	43.7	44.3	45.1		
Energy Ft. Lbs		1707	1762	1819	1876	1934	1993	2053

Special Load	Powder	Grains	Velocity fps	Energy Ft. Lbs
Accuracy Load	IMR 7828ssc	42	3245	1870
Hunting Load	RS Hunter	40.6	3262	1890

Sierra does not recommend MatchKing bullets for hunting applications.



INDICATES MAXIMUM LOAD - USE CAUTION
LOADS LESS THAN MINIMUM CHARGES SHOWN ARE NOT RECOMMENDED.

22 Creedmoor

Bullet	Caliber	Weight	Type	C.O.A.L.
#9290	.224"	90 GR	MK HPBT	2.600" *

* - requires a 1 x 6.5" twist rate or faster.

Powder	Velocity >	2850	2900	2950	3000	3050	3100	3150
A 4350		34.8	35.5	36.6	37.0	37.8		
IMR 4831		36.5	37.2	37.9	38.7			
RS Hunter		35.7	36.5	37.3	38.1	38.5		
H 4831sc		36.6	37.3	38.1	38.9	39.7		
N 560			37.3	38.4	39.5	40.6	41.3	
R-23			35.3	36.2	37.1	38.6		
N 165	35.6	36.6	37.5	38.4	38.9			
IMR 7828sc	36.7	37.4	38.1	38.9	39.6	40.0		
R-25		38.0	38.8	39.7	40.5	41.6		
H 1000	39.8	40.5	41.2	41.9	42.6	43.3	43.9	
Staball HD	42.5	43.3	44.1	44.9	45.2			
Energy Ft. Lbs		1623	1681	1739	1798	1859	1920	1983

Special Load	Powder	Grains	Velocity fps	Energy Ft. Lbs
Accuracy Load	R-23	38.0	3047	1855
Hunting Load	R-25	40.6	3057	1867

Sierra does not recommend MatchKing bullets for hunting applications.



INDICATES MAXIMUM LOAD - USE CAUTION
LOADS LESS THAN MINIMUM CHARGES SHOWN ARE NOT RECOMMENDED.

22 Creedmoor

Bullet	Caliber	Weight	Type	C.O.A.L.
#1396	.224"	95 gr	MK HPBT	2.625" *

* - requires a 1 x 6.5" twist rate or faster.

Powder	Velocity >	2750	2800	2850	2900	2950	3000	3050
IMR 4831		34.6	35.3	36.1				
RS Hunter		35.4	36.1	36.9	37.6			
H 4831sc			35.3	36.2	37.5			
N 560			37.1	38.1	39.1	40.1	40.9	
R-23	34.0	34.8	35.7	36.5	37.5			
IMR 7828sc	34.6	35.4	36.2	37.1	37.6			
R-25		37.0	37.8	38.6	39.4	40.2	40.6	
RS Magnum			41.5	42.4	43.3	44.2	45.5	
H 1000	37.1	37.9	38.7	39.6	40.4	41.0		
Staball HD	41.0	41.9	42.8	43.7	44.6	45.2		
Energy Ft. Lbs		1595	1654	1713	1774	1836	1898	1962

Special Load	Powder	Grains	Velocity fps	Energy Ft. Lbs
Accuracy Load	N 560	38.9	2890	1762
Hunting Load	Staball HD	44.5	2945	1829

Sierra does not recommend MatchKing bullets for hunting applications.



INDICATES MAXIMUM LOAD - USE CAUTION
LOADS LESS THAN MINIMUM CHARGES SHOWN ARE NOT RECOMMENDED.