

22 ARC Gas Gun Gun

52,000 PSI

Bullet	Caliber	Weight	Type	C.O.A.L.
#1396	0.224	95gr	HPBT-CN	2.260*

*-requires a 1x6.5" Twist rate or faster.

Powder	Velocity >	2300	2400	2450	2500	2550	2600	2650
Benchmark		20.5	21.7	22.3				
IMR 8208xbr			22.1	22.7	23.3			
AR Comp			21.8	22.3				
TAC	21.6	22.6	23.2	23.6				
SW Match		23.3	23.8	24.4	24.9	25.5	26.0	
A2520			23.7	24.3	24.8	25.4		
Varget	21.9	23.0	23.5	24.1	24.6			
W748		23.5	24.1	24.6	25.2	25.7		
Staball Match		24.3	24.8	25.4	25.9			
PP2000 MR				25.8	26.4	26.9	27.4	
N540	22.3	23.3	23.8	24.2	24.8			
Energy Ft. Lbs		1116	1215	1266	1318	1371	1426	1481

Special Load	Powder	Grains	Velocity fps	Energy Ft. Lbs
Accuracy Load	Benchmark	22.3	2450	1266
Hunting Load	SW Match	26.0	2650	1481

Sierra does not recommend MatchKing bullets for hunting applications.



INDICATES MAXIMUM LOAD - USE CAUTION
LOADS LESS THAN MINIMUM CHARGES SHOWN ARE NOT RECOMMENDED.

22 ARC Gas Gun

52,000 PSI

Bullet	Caliber	Weight	Type	C.O.A.L.
#9290	.224"	90 GR	MK	2.260*

*-requires a 1x6.5" Twist rate or faster.

Powder	Velocity >	2400	2500	2550	2600	2625	2650	2700
IMR 8208xbr		21.6	22.8	23.4	23.9			
TAC			23.0	23.5	24.0			
SW Match				24.2	24.8	25.1	25.4	25.9
A2520		22.5	23.7	24.3	24.9	25.2	25.5	
N140		23.0	24.3	24.9				
Varget		22.2	23.4	24.0	24.6	24.8		
W748			23.7	24.3	24.9	25.2		
SW Precision		22.5	23.8	24.4	25.0			
Staball Match			24.3	25.0	25.6	25.9	26.2	
PP2000 MR				25.7	26.2	26.5	26.8	27.4
N540		22.5	23.6	24.1	24.6	24.9		
SW Long Rifle		23.7	25.0					
Energy Ft. Lbs		1151	1249	1299	1351	1377	1403	1457

Special Load	Powder	Grains	Velocity fps	Energy Ft. Lbs
Accuracy Load	TAC	24.0	2600	1351
Hunting Load	2000 MR	27.4	2700	1457

Sierra does not recommend MatchKing bullets for hunting applications.



INDICATES MAXIMUM LOAD - USE CAUTION
LOADS LESS THAN MINIMUM CHARGES SHOWN ARE NOT RECOMMENDED.

22 ARC Gas Gun**52,000 PSI**

Bullet	Caliber	Weight	Type	C.O.A.L.
#9377	.224"	77 gr	MK	2.160" *
#7177	.224"	77 gr	TMK	2.200" *
#9390	.224"	80 gr	MK	2.260" *

* - requires a 1 x 8" twist rate or faster.

Powder	Velocity >	2600	2650	2750	2800	2850	2900	2950
AR Comp			22.4	23.6	24.1			
TAC	22.9		23.4	24.5	25.0			
A2520			24.5	25.6	26.2	26.7	27.3	27.8
SW Match			24.3	25.3	25.8	26.3	26.8	27.4
N140	24.2		25.1	25.9	26.5	27.0		
Varget			24.3	25.3	25.9	26.4	26.9	
SW Precision			24.7	25.9	26.5	27.0	27.5	
W748			24.4	25.5	26.1	26.7	27.2	27.7
Staball Match				26.3	26.9	27.5	28.0	29.6
CFE 223							27.9	28.4
PP2000 MR				27.3	27.8	28.3	28.8	29.2
N540	23.8		24.2	25.2	25.7	26.2		
SW Long Rifle			26.4	27.5	28.1	28.7	29.2	29.8
Energy Ft. Lbs	1156	1200	1293	1340	1389	1438	1488	

Special Load	Powder	Grains	Velocity fps	Energy Ft. Lbs
Accuracy Load	AR Comp	24.1	2800	1340
Hunting Load	W748	27.7	2950	1488

Sierra does not recommend MatchKing bullets for hunting applications.



INDICATES MAXIMUM LOAD - USE CAUTION
LOADS LESS THAN MINIMUM CHARGES SHOWN ARE NOT RECOMMENDED.

22 ARC Gas Gun

52,000 PSI

Bullet	Caliber	Weight	Type	C.O.A.L.
#1380	.224"	69 gr	MK	2.120" *
#7169	.224"	69 gr	TMK	2.195" *
#7170	.224"	69 gr	BK	2.195" *
#7171	.224"	69 gr	TGK	2.195" *

* - requires a 1 x 10" twist rate or faster.

Powder	Velocity >	2850	2900	3000	3100	3125	3150	3175
IMR 8208xbr		24.8	25.3	26.3				
AR Comp		23.4	24.0					
A2520		26.0	26.5	27.5	28.6	28.8		
SW Match		26.0	26.5	27.4	28.3	28.6	28.8	
N140		26.3	26.9	28.0				
Varget		25.7	26.2	27.2				
SW Precision		26.3	26.8	27.9				
W748		25.9	26.4	27.5	28.6	28.9		
Staball Match		26.5	27.1	28.3	29.4			
CFE 223				28.7	29.6	29.9	30.1	
PP2000 MR		27.8	28.3	29.3	30.2	30.5	30.7	30.9
N540		25.8	26.3	27.3				
SW Long Rifle		28.0	28.9	29.8				
Energy Ft. Lbs		1244	1288	1379	1472	1496	1520	1544

Special Load	Powder	Grains	Velocity fps	Energy Ft. Lbs
Accuracy Load	N 140	28.0	3000	1379
Hunting Load	CFE 223	30.1	3150	1520

Sierra does not recommend MatchKing bullets for hunting applications.



INDICATES MAXIMUM LOAD - USE CAUTION
LOADS LESS THAN MINIMUM CHARGES SHOWN ARE NOT RECOMMENDED.

22 ARC Gas Gun**52,000 PSI**

Bullet	Caliber	Weight	Type	C.O.A.L.
#1375	.224"	60 gr	HP	2.100"
#7160	.224"	60 gr	TMK	2.125"*
#9362	.224"	62 gr	SBT	2.135" *
#1370	.224"	63 gr	SMP	2.030"
#4062	.224"	64 gr	TGK	2.085" *
#1395	.224"	65 gr	SBT	2.170" *

* - requires a 1 x 10" twist rate or faster.

Powder	Velocity >	2900	3000	3100	3150	3200	3225	3275
Benchmark			24.9	26.0	26.5			
IMR 8208xbr		24.7	25.8	26.8	27.4	27.9		
TAC		24.9	26.0	27.0	27.6			
A2520			27.3	28.3	28.9	29.4	29.7	
N140		26.5	27.6	28.8	29.3			
Varget		25.9	26.9	27.9	28.4	28.9		
SW Precision		26.8	28.0	29.1	29.7			
W748			27.2	28.3	28.9	29.5	29.8	
Staball Match		26.7	27.8	29.0	29.6	30.1		
CFE 223				28.8	29.3	29.9	30.2	30.8
PP2000 MR			29.1	30.1	30.6	31.2	31.4	31.9
N540		26.0	26.9	27.9	28.3			
Energy Ft. Lbs		1120	1199	1280	1322	1364	1385	1429

Special Load	Powder	Grains	Velocity fps	Energy Ft. Lbs
Accuracy Load	Staball Match	30.1	3200	1364
Hunting Load	PP2000 MR	31.9	3275	1429

Sierra does not recommend MatchKing bullets for hunting applications.



INDICATES MAXIMUM LOAD - USE CAUTION
LOADS LESS THAN MINIMUM CHARGES SHOWN ARE NOT RECOMMENDED.

22 ARC Gas Gun**52,000 PSI**

Bullet	Caliber	Weight	Type	C.O.A.L.
#1410	.224"	52 gr	MK	2.000"
#1400	.224"	53 gr	MK	2.040"
#1345	.224"	55 gr	SPT Blitz Med. Vel.	1.955" **
#1360	.224"	55 gr	SPT	2.040"
#1365	.224"	55 gr	SBT	2.010"
#1390	.224"	55 gr	HPBT	2.000"
#1455	.224"	55 gr	BK	2.110" *

* - requires a 1 x 12" twist rate or faster.

** - Max velocity of 3600 fps.

Powder	Velocity >	3100	3200	3300	3350	3400	3450	3500
N133			25.8	26.7	27.2			
Benchmark			26.3	27.2	27.7	28.1	28.7	
H335	26.6	27.5	28.3	28.8	29.2	29.6		
A2460	26.4	27.4	28.3	28.8	29.2	29.7		
SW Tac. Rifle	26.7	27.6	28.5	29.0	29.4	29.8	30.2	
IMR 8208xbr	26.1	27.0	27.9	28.3	28.7	29.2	29.6	
TAC	26.3	27.2	28.2	28.7	29.2	29.7		
N135			26.6	27.6	28.1			
A2520			28.6	29.6	30.0	30.5	31.0	31.5
N140	28.0	29.0	29.9	30.5	31.0			
Varget	27.3	28.1	29.0	29.4	29.8			
W748	27.7	28.7	29.7	30.2	30.7	31.2		
Staball Match	27.8	28.8	29.7	30.2	30.6	31.1	31.6	
Energy Ft. Lbs	1109	1182	1257	1296	1335	1374	1414	

Special Load	Powder	Grains	Velocity fps	Energy Ft. Lbs
Accuracy Load	Varget	29.8	3400	1335
Hunting Load	H335	29.6	3450	1374

Sierra does not recommend MatchKing bullets for hunting applications.



INDICATES MAXIMUM LOAD - USE CAUTION
LOADS LESS THAN MINIMUM CHARGES SHOWN ARE NOT RECOMMENDED.

22 ARC Gas Gun**52,000 PSI**

Bullet	Caliber	Weight	Type	C.O.A.L.
#1330	.224"	50 gr	SPT	2.095"
#1340	.224"	50 gr	SPT Blitz Med. Vel.	2.090" **
#1450	.224"	50 gr	BK	2.065"

** - Max velocity of 3600fps.

Powder	Velocity >	3200	3300	3400	3500	3550	3600	3625
A2015		26.4	27.2	28.0				
R-10x			25.0	26.0	26.9	27.3	27.7	
IMR 3031		26.4	27.2	28.1				
N133		25.8	26.6	27.4	28.2			
Benchmark			27.0	27.9	28.8	29.3	29.7	
H335		27.1	28.0	28.9	29.8	30.2	30.6	
X-terminator		26.7	27.6	28.5	29.3	29.8		
A2460		27.2	28.1	29.0	29.9	30.4		
SW Tac. Rifle			28.0	28.9	29.8	30.3	30.7	31.0
IMR 8208xbr		27.5	28.3	29.1	29.8	30.2	30.6	
TAC			28.2	29.2	30.2	30.7	31.2	31.5
N135		26.8	27.6	28.4	29.3			
Energy Ft. Lbs		1137	1209	1283	1360	1399	1439	1459

Special Load	Powder	Grains	Velocity fps	Energy Ft. Lbs
Accuracy Load	N133	28.2	3500	1360
Hunting Load	X-terminator	29.8	3550	1399

Sierra does not recommend MatchKing bullets for hunting applications.



INDICATES MAXIMUM LOAD - USE CAUTION
LOADS LESS THAN MINIMUM CHARGES SHOWN ARE NOT RECOMMENDED.

22 ARC Gas Gun

52,000 PSI

Bullet	Caliber	Weight	Type	C.O.A.L.
#1310	.224"	45 gr	SPT	1.935"

Powder	Velocity >	3350	3450	3550	3650	3750	3800	3825
H335		28.2	29.0	29.8	30.6	31.5		
X-terminator			27.6	28.6	29.7	30.7	31.2	31.5
A2460			29.3	30.1	31.0	31.8	32.5	
SW Tac. Rifle	29.0		29.8	30.6	31.5	32.2		
IMR 8208xbr	28.7		29.4	30.1	30.8	31.4		
TAC			29.4	30.3	31.2	32.1	32.5	
Energy Ft. Lbs		1121	1189	1259	1331	1405	1443	1462

Special Load	Powder	Grains	Velocity fps	Energy Ft. Lbs
Accuracy Load	SW Tact Rifle	32.2	3750	1405
Hunting Load	A2460	32.5	3800	1443

Sierra does not recommend MatchKing bullets for hunting applications.



INDICATES MAXIMUM LOAD - USE CAUTION
LOADS LESS THAN MINIMUM CHARGES SHOWN ARE NOT RECOMMENDED.

22 ARC Gas Gun

52,000 PSI

Bullet	Caliber	Weight	Type	C.O.A.L.
#1385	.224"	40 gr	SPT	1.935"
#1440	.224"	40 gr	BK	2.010"

Powder	Velocity >	3550	3650	3750	3800	3850	3900	3950
A2015		28.5	29.1	29.8	30.2			
R-10x		27.2	27.9	28.5	28.9	29.2		
N130			26.3	27.0	27.3			
IMR 3031		28.9	29.6	30.2				
N133		27.7	28.5	29.2	29.6	29.9		
Benchmark		28.8	29.5	30.2	30.6	30.9	31.3	
H335		29.4	30.2	31.0	31.4	31.8	32.2	
A2460		29.3	30.1	30.9	31.4	31.8	32.2	
SW Tac. Rifle		29.8	30.7	31.6	32.0	32.4	32.8	33.2
IMR 8208xbr		29.8	30.4	31.1	31.4	31.7	32.1	
TAC			30.0	30.9	31.4	31.9	32.4	32.8
Energy Ft. Lbs		1119	1183	1249	1282	1316	1351	1386

Special Load	Powder	Grains	Velocity fps	Energy Ft. Lbs
Accuracy Load	SW Tac. Rifle	33.2	3950	1386
Hunting Load	TAC	32.8	3950	1386

Sierra does not recommend MatchKing bullets for hunting applications.



INDICATES MAXIMUM LOAD - USE CAUTION
LOADS LESS THAN MINIMUM CHARGES SHOWN ARE NOT RECOMMENDED.

22 ARC

Test Specifications:

Firearm Used: Universal Receiver

Barrel Length: 24"

Twist: 1x7"

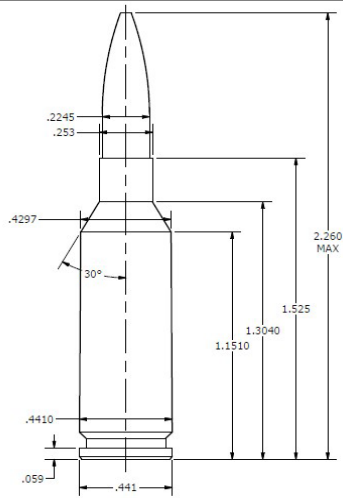
Components:

Case: Hornady

Trim-to-Length: 1.510"

Primer: Federal 205

Remarks:



INDICATES MAXIMUM LOAD - USE CAUTION
LOADS LESS THAN MINIMUM CHARGES SHOWN ARE NOT

ED.

22 ARC Bolt Gun

62,000 PSI

Bullet	Caliber	Weight	Type	C.O.A.L.
#1396	0.224	95gr	HPBT-CN	2.260*

*-requires a 1x6.5" Twist rate or faster.

Powder	Velocity >	2450	2500	2600	2700	2750	2800	2825
Benchmark		22.3	22.9	24.0				
IMR 8208xbr		22.7	23.2	24.4	25.5			
AR Comp		22.4	23.0	24.2				
TAC		23.2	23.7	24.7	25.8			
SW Match			24.4	25.5	26.6	27.1		
A2520			24.3	25.4	26.6	27.2		
Varget			24.1	25.2	26.3			
W748			24.6	25.7	26.7	27.2		
Staball Match			25.4	26.5	27.5	28.1		
PP 2000 MR			25.8	26.9	27.9	28.5	29.0	29.3
N540		23.8	24.2	25.2	26.2			
Energy Ft. Lbs		1266	1318	1426	1538	1595	1654	1683

Special Load	Powder	Grains	Velocity fps	Energy Ft. Lbs
Accuracy Load	8208xbr	25.5	2700	1538
Hunting Load	A2520	27.2	2750	1595

Sierra does not recommend MatchKing bullets for hunting applications.



INDICATES MAXIMUM LOAD - USE CAUTION
LOADS LESS THAN MINIMUM CHARGES SHOWN ARE NOT RECOMMENDED.

22 ARC Bolt Gun

62,000 PSI

Bullet	Caliber	Weight	Type	C.O.A.L.
#9290	.224"	90 GR	MK	2.260*

*-requires a 1x6.5" Twist rate or faster.

Powder	Velocity >	2500	2600	2700	2750	2800	2850	2900
IMR 8208xbr		22.8	24.0	25.1	25.7			
TAC		23.0	24.1	25.2	25.7			
SW Match			24.8	25.9	26.5	27.0	27.6	
A2520			24.9	26.2	26.8	27.4	28.0	
N140	24.3		25.5	26.7	27.3			
Varget			24.6	25.7	26.3	26.9		
W748			24.9	26.1	26.8	27.4		
SW Precision			25.0	26.3	26.9			
Staball Match			25.6	26.9	27.5	28.2		
PP 2000 MR			26.3	27.4	27.9	28.5	29.0	29.6
N540			24.6	25.7	26.2	26.8		
SW Long Rifle	24.9		26.2	27.5				
Energy Ft. Lbs		1249	1351	1457	1511	1566	1623	1680

Special Load	Powder	Grains	Velocity fps	Energy Ft. Lbs
Accuracy Load	Long Rifle	27.5	2700	1457
Hunting Load	Precision	26.9	2800	1566

Sierra does not recommend MatchKing bullets for hunting applications.



INDICATES MAXIMUM LOAD - USE CAUTION
LOADS LESS THAN MINIMUM CHARGES SHOWN ARE NOT RECOMMENDED.

22 ARC Bolt Gun

62,000 PSI

Bullet	Caliber	Weight	Type	C.O.A.L.
#9377	.224"	77 gr	MK	2.160" *
#7177	.224"	77 gr	TMK	2.200" *
#9390	.224"	80 gr	MK	2.260" *

* - requires a 1 x 8" twist rate or faster.

Powder	Velocity >	2800	2900	2950	3000	3050	3100	3150
AR Comp		24.1	25.3	25.9				
TAC		25.0	26.1	26.7	27.2			
A2520		26.2	27.3	27.9	28.4	29.0	29.5	
SW Match		25.8	26.8	27.3	27.9	28.4	28.9	
N140		26.5	27.6	28.2	28.7			
Varget		25.9	26.9	27.5	28.0	28.5		
SW Precision		26.4	27.5	28.1	28.6	29.2		
W748		26.1	27.2	27.8	28.3	28.9	29.4	
Staball Match		26.9	28.0	28.6	29.1	29.7	30.3	
CFE 223			27.9	28.5	29.0	29.5	30.0	
2000 MR		27.8	28.7	29.2	29.7	30.2	30.7	31.1
N540		25.7	26.7	27.2	27.7	28.2		
SW Long Rifle		28.1	29.2	29.8				
Energy Ft. Lbs		1340	1438	1488	1539	1590	1643	1696

Special Load	Powder	Grains	Velocity fps	Energy Ft. Lbs
Accuracy Load	Long Rifle	29.8	2950	1488
Hunting Load	W 748	29.4	3100	1643

Sierra does not recommend MatchKing bullets for hunting applications.



INDICATES MAXIMUM LOAD - USE CAUTION
LOADS LESS THAN MINIMUM CHARGES SHOWN ARE NOT RECOMMENDED.

22 ARC Bolt Gun**62,000 PSI**

Bullet	Caliber	Weight	Type	C.O.A.L.
#1380	.224"	69 gr	MK	2.120" *
#7169	.224"	69 gr	TMK	2.195" *
#7170	.224"	69gr	BK	2.195" *
#7171	.224"	69 gr	TGK	2.195" *

* - requires a 1 x 10" twist rate or faster.

Powder	Velocity >	2950	3000	3100	3200	3250	3300	3325
IMR 8208xbr		25.8	26.3	27.3	28.3	28.8		
AR Comp		24.7	25.3	26.6	27.8			
2520			27.5	28.6	29.6	30.1	30.6	
SW Match			27.4	28.3	29.3	29.7	30.2	30.4
N 140		27.4	28.0	29.1	30.2			
Varget		26.7	27.2	28.2	29.2	29.6		
SW Precision		27.3	27.9	29.0	30.1			
748			27.5	28.6	29.7	30.3		
Staball Match			28.3	29.4	30.6	31.2		
CFE 223			28.7	29.6	30.6	31.0	31.5	31.7
2000 MR		28.8	29.3	30.2	31.2	31.7	32.2	
N 540		26.8	27.3	28.2	29.2	29.7		
SW Long Rifle		29.3	30.3	31.3				
Energy Ft. Lbs		1333	1379	1472	1569	1618	1668	1694

Special Load	Powder	Grains	Velocity fps	Energy Ft. Lbs
Accuracy Load	Precision	30.1	3200	1569
Hunting Load	Varget	29.6	3250	1618

Sierra does not recommend MatchKing bullets for hunting applications.



INDICATES MAXIMUM LOAD - USE CAUTION
LOADS LESS THAN MINIMUM CHARGES SHOWN ARE NOT RECOMMENDED.

22 ARC Bolt Gun

62,000 PSI

Bullet	Caliber	Weight	Type	C.O.A.L.
#1375	.224"	60 gr	HP	2.100"
#7160	.224"	60 gr	TMK	2.125"*
#9362	.224"	62 gr	SBT	2.135" *
#1370	.224"	63 gr	SMP	2.030"
#4062	.224"	64 gr	TGK	2.085" *
#1395	.224"	65 gr	SBT	2.170" *

* - requires a 1 x 10" twist rate or faster.

Powder	Velocity >	3100	3200	3300	3350	3400	3450	3475
Benchmark		26.0	27.1	28.2	28.8			
IMR 8208xbr		26.8	27.8	28.9	29.4			
TAC		27.1	28.1	29.1	29.6	30.1		
A2520		28.3	29.4	30.5	31.0	31.5	32.0	
N140		28.8	29.9	31.1				
Varget		27.9	28.9	29.9	30.4			
SW Precision		29.1	30.2					
W748		28.3	29.5	30.6	31.2	31.8		
Staball Match		29.0	30.1	31.3	31.9	32.4		
CFE 223			29.9	31.0	31.6	32.1	32.7	
PP2000 MR			31.2	32.2	32.7	33.3	33.7	34.0
N540		27.9	28.8	29.7	30.2			
Energy Ft. Lbs		1280	1364	1451	1495	1540	1585	1609

Special Load	Powder	Grains	Velocity fps	Energy Ft. Lbs
Accuracy Load	8208xbr	29.4	3350	1495
Hunting Load	W748	31.8	3400	1540

Sierra does not recommend MatchKing bullets for hunting applications.



INDICATES MAXIMUM LOAD - USE CAUTION
LOADS LESS THAN MINIMUM CHARGES SHOWN ARE NOT RECOMMENDED.

22 ARC Bolt Gun**62,000 PSI**

Bullet	Caliber	Weight	Type	C.O.A.L.
#1410	.224"	52 gr	MK	2.000"
#1400	.224"	53 gr	MK	2.040"
#1345	.224"	55 gr	SPT Blitz Med. Vel.	1.955" **
#1360	.224"	55 gr	SPT	2.040"
#1365	.224"	55 gr	SBT	2.010"
#1390	.224"	55 gr	HPBT	2.000"
#1455	.224"	55 gr	BK	2.110" *

* - requires a 1 x 12" twist rate or faster.

** - Max velocity of 3600 fps.

Powder	Velocity >	3300	3400	3500	3550	3600	3650	3700
N133		26.7	27.6	28.5	28.9			
Benchmark		27.2	28.1	29.1	29.5	30.0	30.5	
H335		28.3	29.2	30.0	30.5	30.9	31.4	
A2460		28.3	29.3	30.2	30.7	31.1		
SW Tact. Rifle		28.5	29.4	30.3	30.8	31.2	31.7	
IMR 8208xbr		27.9	28.7	29.6	30.1	30.5	30.9	31.3
TAC			29.2	30.2	30.6	31.1	31.6	32.1
N135		27.6	28.6	29.6	30.1			
A2520			30.5	31.5	32.0	32.5	33.0	33.5
N140		29.9	30.9	31.8				
Varget		29.0	29.8	30.7	31.2	31.6		
W748		29.7	30.7	31.7	32.2	32.7		
Staball Match		29.7	30.6	31.6	32.1	32.5		
Energy Ft. Lbs		1281	1360	1441	1483	1525	1568	1611

Special Load	Powder	Grains	Velocity fps	Energy Ft. Lbs
Accuracy Load	N 133	28.9	3550	1483
Hunting Load	A2520	33.5	3700	1611

Sierra does not recommend MatchKing bullets for hunting applications.



INDICATES MAXIMUM LOAD - USE CAUTION
LOADS LESS THAN MINIMUM CHARGES SHOWN ARE NOT RECOMMENDED.

22 ARC Bolt Gun

62,000 PSI

Bullet	Caliber	Weight	Type	C.O.A.L.
#1330	.224"	50 gr	SPT	2.095"
#1340	.224"	50 gr	SPT Blitz Med. Vel.	2.090" **
#1450	.224"	50 gr	BK	2.065"

** - Max velocity of 3600fps.

Powder	Velocity >	3400	3500	3600	3650	3700	3750	3800
A 2015		28.0	28.8	29.6	30.0	30.3		
Re 10x		26.0	26.9	27.7	28.2	28.6		
IMR 3031		28.1	29.0	29.8				
N133		27.4	28.2	28.9	29.3	29.7		
Benchmark		27.9	28.8	29.7	30.1	30.5	30.9	31.3
H335		28.9	29.8	30.7	31.2	31.6	32.0	32.4
X - terminator		28.5	29.4	30.2	30.6	31.1	31.5	32.0
A 2460		29.0	29.9	30.8	31.3	31.7	32.2	32.6
SW Tact. Rifle			29.8	30.8	31.3	31.7	32.2	32.6
IMR 8208xbr		29.1	29.8	30.6	31.0	31.4	31.7	
TAC			30.2	31.2	31.7	32.2	32.7	33.2
N135		28.4	29.3	30.1	30.1			
Energy Ft. Lbs		1283	1360	1439	1479	1520	1561	1603

Special Load	Powder	Grains	Velocity fps	Energy Ft. Lbs
Accuracy Load	A2015	30.3	3700	1520
Hunting Load	X-terminator	32.0	3800	1603

Sierra does not recommend MatchKing bullets for hunting applications.



INDICATES MAXIMUM LOAD - USE CAUTION
LOADS LESS THAN MINIMUM CHARGES SHOWN ARE NOT RECOMMENDED.

22 ARC Bolt Gun

62,000 PSI

Bullet	Caliber	Weight	Type	C.O.A.L.
#1310	.224"	45 gr	SPT	1.935"

Powder	Velocity >	3500	3600	3700	3800	3900	3950	3975
H335			30.2	31.0	31.8	32.6	33.0	33.2
X-terminator			29.2	30.2	31.2	32.2	32.8	
A2460	29.7	30.5	31.4	32.2	33.2			
SW Tact. Rifle	30.2	31.1	31.9	32.7	33.6			
IMR 8208xbr	29.7	30.4	31.1	31.8				
TAC	29.9	30.8	31.6	32.5	33.4	33.8		
Energy Ft. Lbs		1224	1295	1368	1443	1520	1559	1579

Special Load	Powder	Grains	Velocity fps	Energy Ft. Lbs
Accuracy Load	X-terminator	32.8	3950	1559
Hunting Load	H 335	33.2	3975	1579

Sierra does not recommend MatchKing bullets for hunting applications.



INDICATES MAXIMUM LOAD - USE CAUTION
LOADS LESS THAN MINIMUM CHARGES SHOWN ARE NOT RECOMMENDED.

22 ARC Bolt Gun

62,000 PSI

Bullet	Caliber	Weight	Type	C.O.A.L.
#1385	.224"	40 gr	SPT	1.935"
#1440	.224"	40 gr	BK	2.010"

Powder	Velocity >	3600	3700	3800	3900	4000	4050	4100
A2015		28.8	29.5	30.2				
R -10x		27.6	28.2	28.8	29.5	30.1	30.4	
N130		25.9	26.7	27.4	28.1	28.7		
IMR 3031		29.2	29.9	30.5				
N133		28.1	28.8	29.6	30.3			
BenchMark		29.2	29.9	30.6	31.3			
H335			30.6	31.4	32.2	33.0	33.4	33.8
A2460		29.7	30.5	31.3	32.2			
SW Tact. Rifle		30.3	31.1	32.0	32.8	33.7	34.2	
IMR 8208xbr		30.0	30.8	31.4	32.0			
TAC			30.5	31.4	32.3	33.3	33.8	34.2
Energy Ft. Lbs		1151	1216	1282	1351	1421	1457	1493

Special Load	Powder	Grains	Velocity fps	Energy Ft. Lbs
Accuracy Load	A2460	32.2	3900	1351
Hunting Load	SW Tac. Rifle	34.2	4050	1457

Sierra does not recommend MatchKing bullets for hunting applications.



INDICATES MAXIMUM LOAD - USE CAUTION
LOADS LESS THAN MINIMUM CHARGES SHOWN ARE NOT RECOMMENDED.